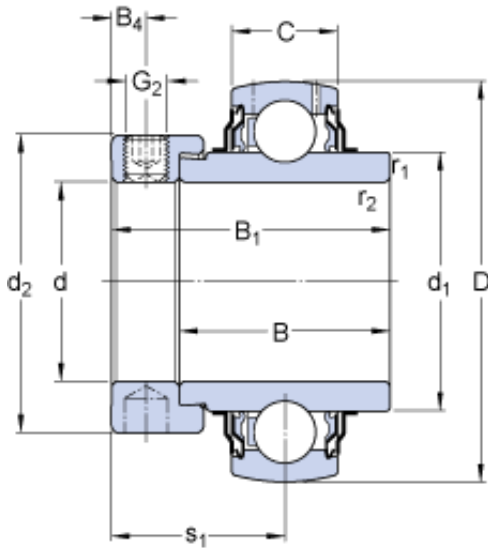




# FN Bearing Machinery Equipment Co.,Ltd



55 mm x 100 mm x 55.6 mm 55 mm x 100 mm x  
 55.6 mm 55 mm x 100 mm x 55.6 mm 55 mm x  
 100 mm x 55.6 mm 55 mm x 100 mm x 55.6 mm  
 55 mm x 100 mm x 55.6 mm 55 mm x 100 mm x  
 55.6 mm 55 mm x 100 mm x 55.6 mm 55 mm x  
 100 mm x 55.6 mm 55 mm x 100 mm x 55.6

Bearing No. YEL 211-2F

YEL 211-2F Bearing 2D drawings and 3D CAD models

|   |                |
|---|----------------|
| Size                                      | 100x55x71.4 mm |
| Bore Diameter                             | 100 mm         |
| Outer Diameter                            | 55 mm          |
| Width                                     | 71,4 mm        |
| d   | 55 mm          |
| D   | 100 mm         |
| B <sub>1</sub>                            | 71.4 mm        |
| C   | 25 mm          |
| d <sub>1</sub>                            | 69.06 mm       |
| d <sub>2</sub>                            | 74.5 mm        |
| B   | 55.6 mm        |
| B <sub>4</sub>                            | 7.9 mm         |
| r <sub>1,2</sub> - min.                   | 1 mm           |
| s <sub>1</sub>                            | 43.6 mm        |
| Basic dynamic load rating - C             | 43.6 kN        |
| Basic static load rating - C <sub>0</sub> | 29 kN          |
| Fatigue load limit - P <sub>u</sub>       | 1.2 kN         |
| Limiting speed with shaft tolerance h6    | 3600 r/min     |
| Calculation factor - f <sub>0</sub>       | 14             |
| Mass bearing                              | 1.2 kg         |



## FN Bearing Machinery Equipment Co.,Ltd

|                                       |   |
|---------------------------------------|---|
| Thread - G <sub>2</sub>               | M10x1   |
| Hexagonal key size for grub screw - H | 5 mm  |
| Category                              | Insert Bearings Spherical OD  |
| Inventory                             | 0.0   |
| Manufacturer Name                     | SKF   |
| Minimum Buy Quantity                  | N/A   |
| Weight / Kilogram                     | 1.25  |
| Product Group                         | M06110  |
| Inner Race Profile                    | Wide Inner Ring   |
| Outer Race Profile                    | Spherical   |
| Relubricatable                        | Yes   |
| Seal Type                             | M Seal  |
| Mounting Method                       | Eccentric Collar  |
| Rolling Element                       | Ball Bearing  |
| Snap Ring                             | No  |
| Long Description                      | 55MM Bore; Wide Inner Ring; Ball Bearing; 71.4MM Length Thru Bore; 25MM Outer Race Width; 100MM Outside Diameter; Relubricatable; M Seal Seal; Eccentric Collar Mounting Method; No Snap Ring |
| Inch - Metric                         | Metric  |
| Other Features                        | Single Row   Standard Duty   With Set Screw   Has Flinger   Metric  |
| Category                              | Insert Bearings   |
| UNSPSC                                | 31171536  |
| Harmonized Tariff Code                | 8482.10.50.00   |
| Noun                                  | Bearing   |
| Keyword String                        | Insert  |
| Manufacturer URL                      | <a href="http://www.skf.com">http://www.skf.com</a>   |
|                                       |   |



## FN Bearing Machinery Equipment Co.,Ltd

|  |                              |
|--|------------------------------|
| Manufacturer Item Number                     | YEL 211-2F                   |
| Weight / LBS                                 | 2.76                         |
| Length Thru Bore                             | 2.811 Inch   71.4 Millimeter |
| Bore   | 2.165 Inch   55 Millimeter   |
| Outside Diameter                             | 3.937 Inch   100 Millimeter  |
| Outer Race Width                             | 0.984 Inch   25 Millimeter   |
| $B_1$  | 71.4 mm                      |
| $d_1$  | 69.06 mm                     |
| $d_2$  | 74.5 mm                      |
| $B_4$  | 7.9 mm                       |
| $r_{1,2}$ min.                               | 1 mm                         |
| $s_1$  | 43.6 mm                      |
| Basic dynamic load rating C                  | 43.6 kN                      |
| Basic static load rating $C_0$               | 29 kN                        |
| Fatigue load limit $P_u$                     | 1.25 kN                      |
| Limiting speed <sup>1)</sup>                 | 3600 r/min                   |
| Calculation factor $f_0$                     | 14                           |
| Mass complete bearing                        | 1.3 kg                       |
| Thread grub screw $G_2$                      | M10x1                        |
| Hexagonal key size for grub screw N          | 5 mm                         |
| Recommended tightening torque for grub screw | 16.5 N · m                   |